



## Bathtub - Lissé

Hand shower set for deck-mounted tub installation - polished chrome

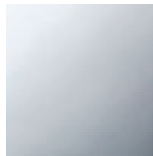
Article number: 27 702 979-00



- Standard spray mode
- Descaling system
- Flange diameter 2"
- 1-1/4" hole diameter
- Metal shower hose 68-7/8" with anti-twist device
- Water flow rate limited to max. 1.8 gpm

### Codes & Standards

- California Energy Commission (CEC)
- ASME A112.18.1/CSA B125.1
  
- Subsequent shower hose replacement possible without removing the fitting due to two-part construction.
- Internal backflow preventer.



polished chrome

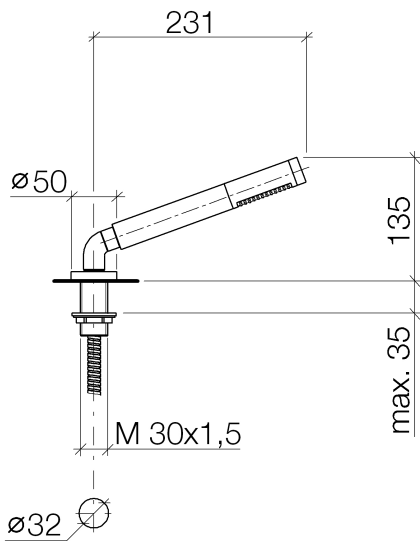


## Bathtub - Lissé

Hand shower set for deck-mounted tub installation - polished chrome

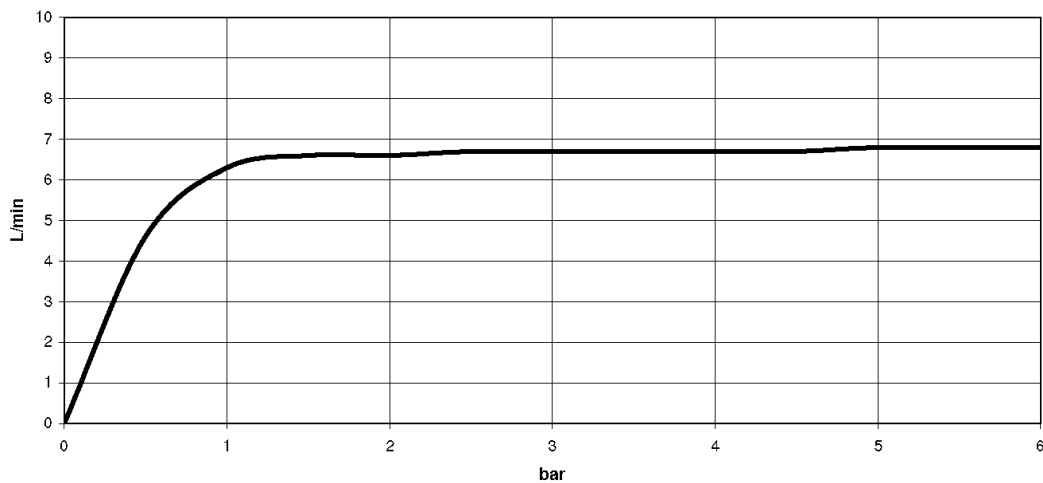
Article number: 27 702 979-00

### Dimensional drawing



All dimensions in mm / inch = mm x 0,0394

### Flow rate chart





## Bathtub - Lissé

Hand shower set for deck-mounted tub installation - polished chrome

Article number: 27 702 979-00

### Other surface finishes



platinum matte  
27 702 979-06



platinum  
27 702 979-08



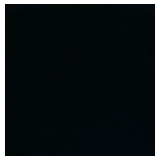
Durabrass  
27 702 979-09



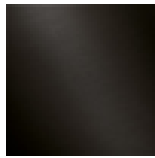
white matte  
27 702 979-10



Brushed Durabrass  
27 702 979-28



black matte  
27 702 979-33



Dark Platinum matte  
27 702 979-99

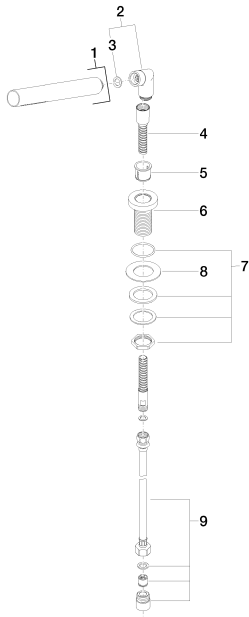
More custom finish options are available via special production (xTra Service). Please see our finish matrix for availability and pricing or contact a Dornbracht representative.

Bathtub - Lissé

Hand shower set for deck-mounted tub installation - polished chrome

Article number: 27 702 979-00

Spare parts list



Number	Item Number	Designation	Number of units
1	28 013 979-00	Baton hand shower - polished chrome	1
2	04 24 04 189 00-00	nipple	1
3	09 14 20 002 90	seal	1
4	28 322 970-00	Metal shower hose 1/2" x 3/8" x 68-7/8" - polished chrome	1
5	09 18 40 085 90	sleeve	1
6	09 30 01 085-00	rosette	1
7	04 30 11 038 66 90	fixing set	1
8	09 30 11 060 90	disc	1
9	12 505 970 90	Flexible supply line 1/2" x 3/8" x 19-5/8" -	1